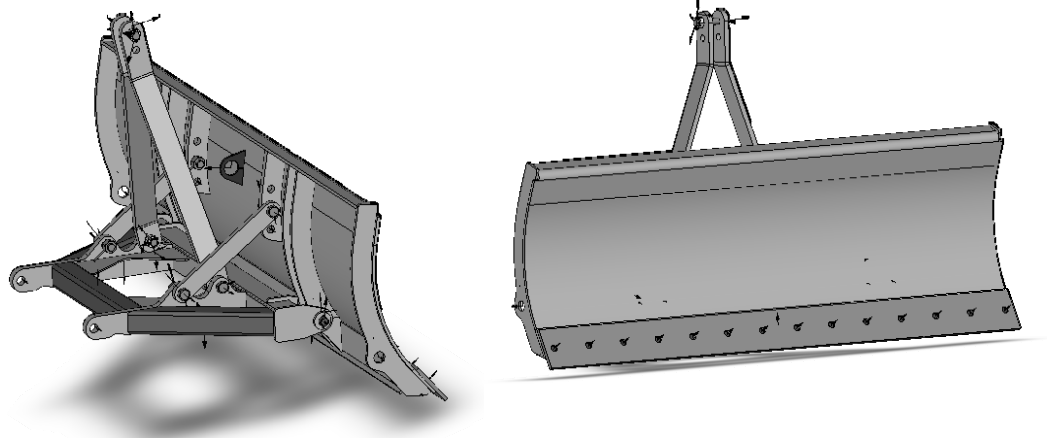


850-9 Series

Rigid 9' Dozer Blade For Motor Graders



Overview

- 96" cleared path
- 38.5" tall blade
- 1/2" plate moldboard reinforced with doubled ribs
- Moldboard manually adjusts to 3 different attack angle settings using 1.25" grade 5 hex cap bolts
- 5/8" X 8" X 96" high abrasive reversible cutting edge secured with 14 grade 8 5/8" bolts (8" c-c)
- 4" x 4" x 3/8" square tube steel back frame
- Moldboard secures to back frame with two 1.5" cold rolled pins
- Designed to work with 100/107 Series Lift Group

Options

- Manual adjustable angle moldboard
- Hydraulically adjustable angle moldboard
- 8', 9', or 10' wide moldboard

Craig Manufacturing Ltd. warrants to the original purchaser all products manufactured by CRAIG to be free from defects in material and workmanship for a period of (12) months starting from the date of delivery from factory unless otherwise specified.

CRAIG
QUALITY WE STAND BEHIND
Attachments • Built Right • Fit Right